

DELMAG

Ersatzteilliste

Handgeführte Walze

HW 60

HW 65 L

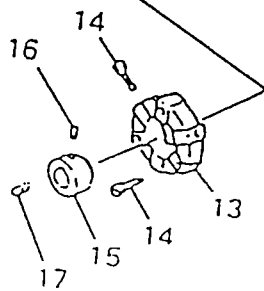
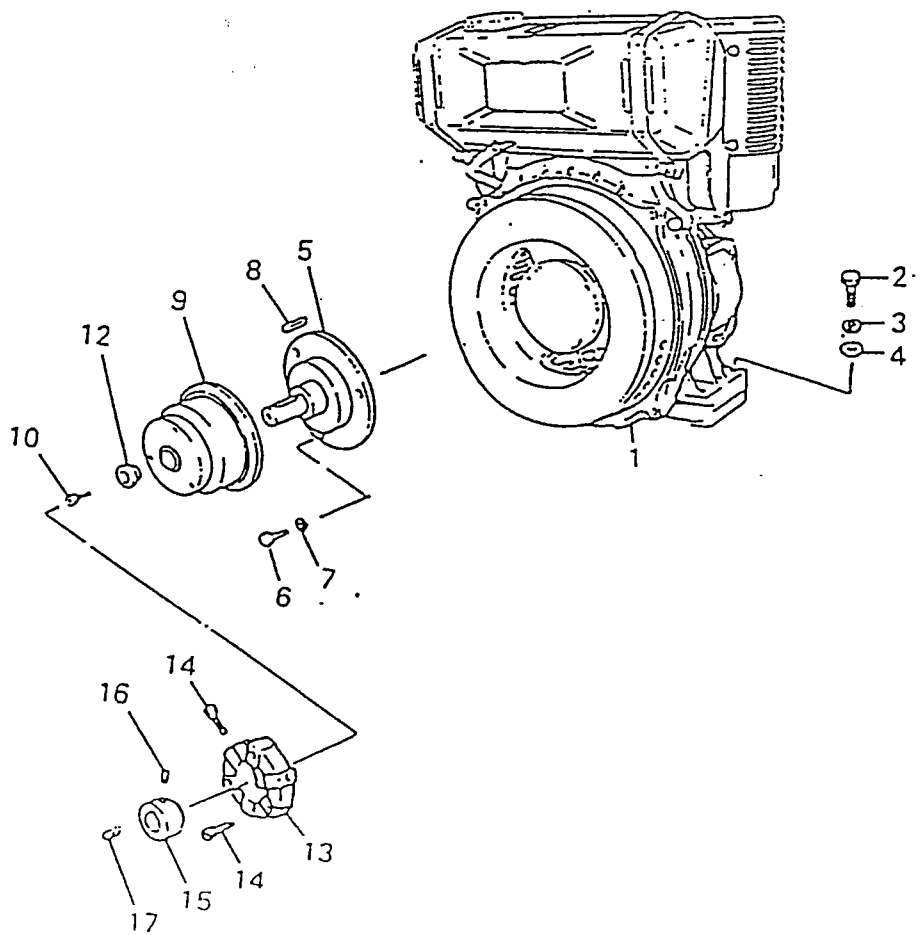
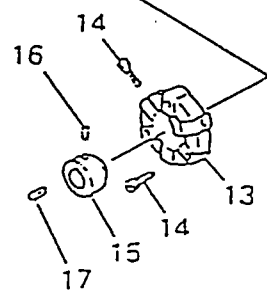
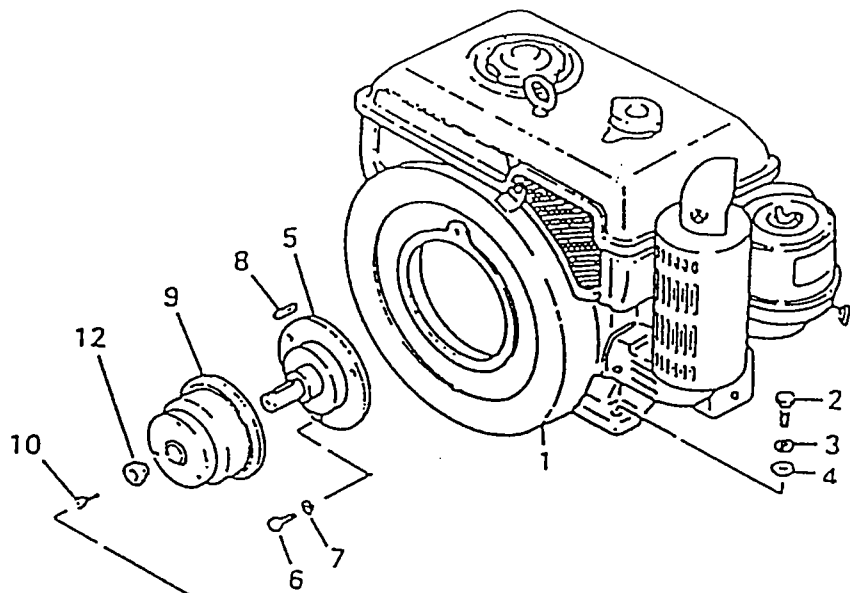
HW 65 S

HW 75

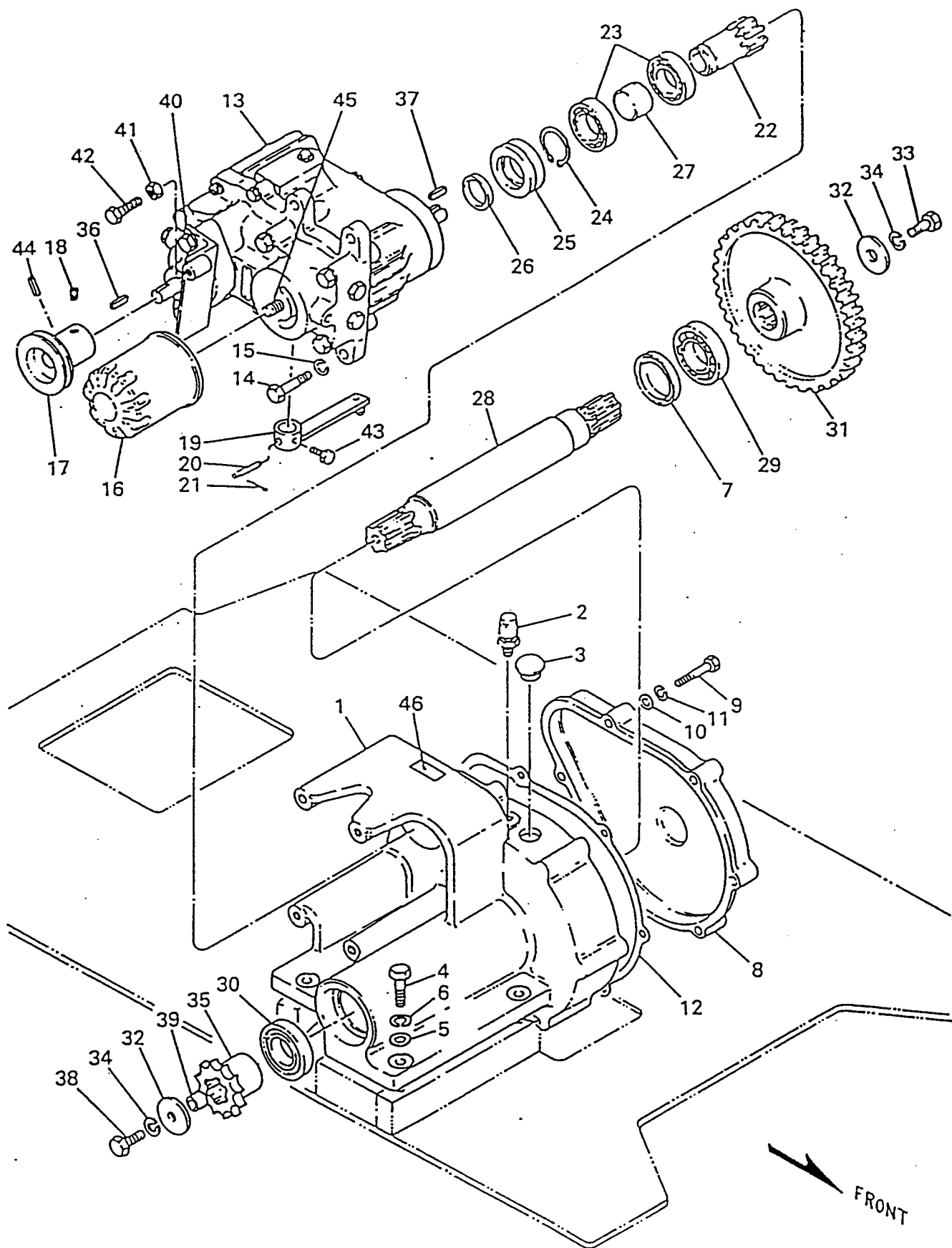
DELMAG-Maschinenfabrik
Reinhold Dornfeld GmbH + Co
Max-Planck-Straße
D-73730 Esslingen

Tel. 0711/3100-1
Fax: 0711/3100-115

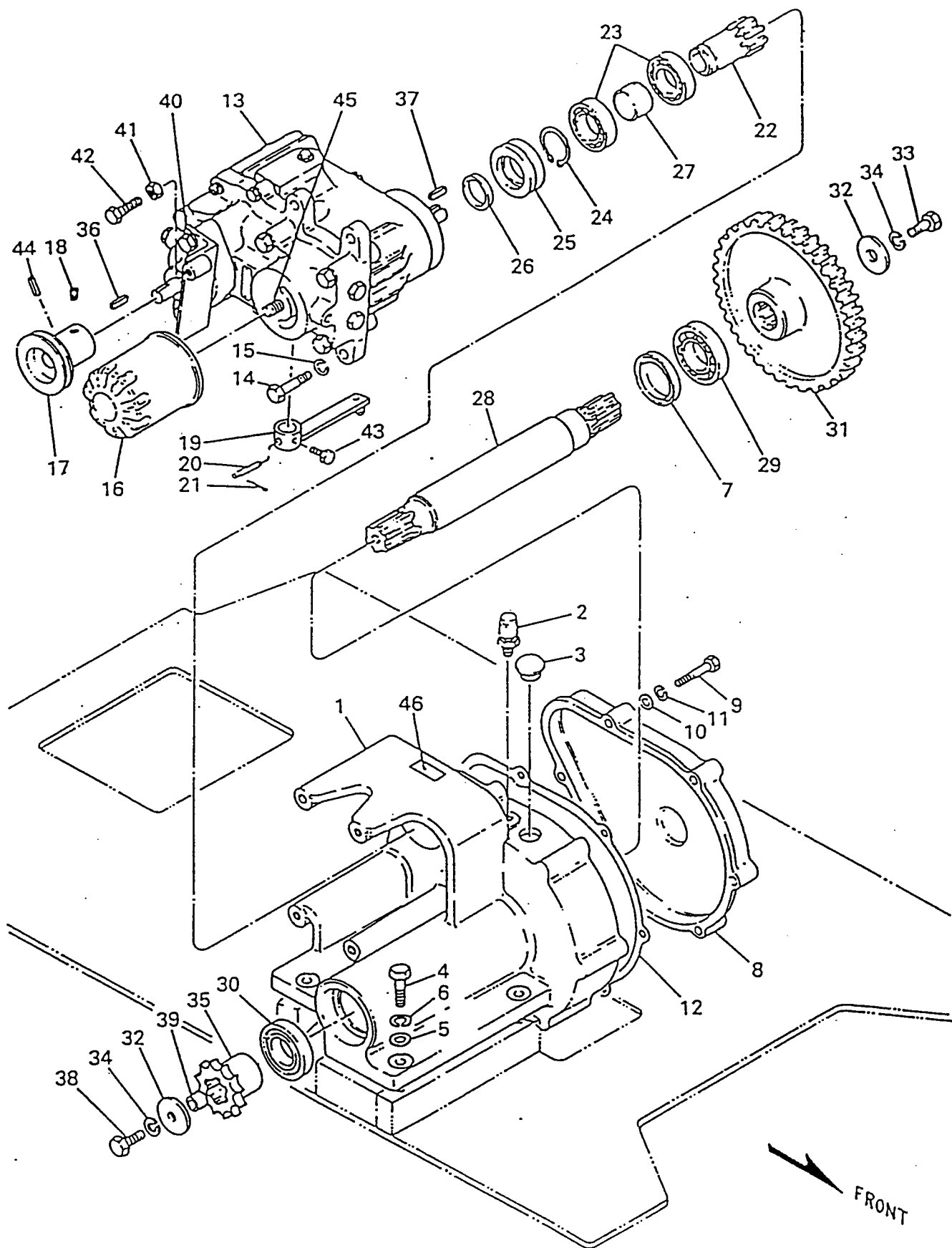
Stand: Januar 1993



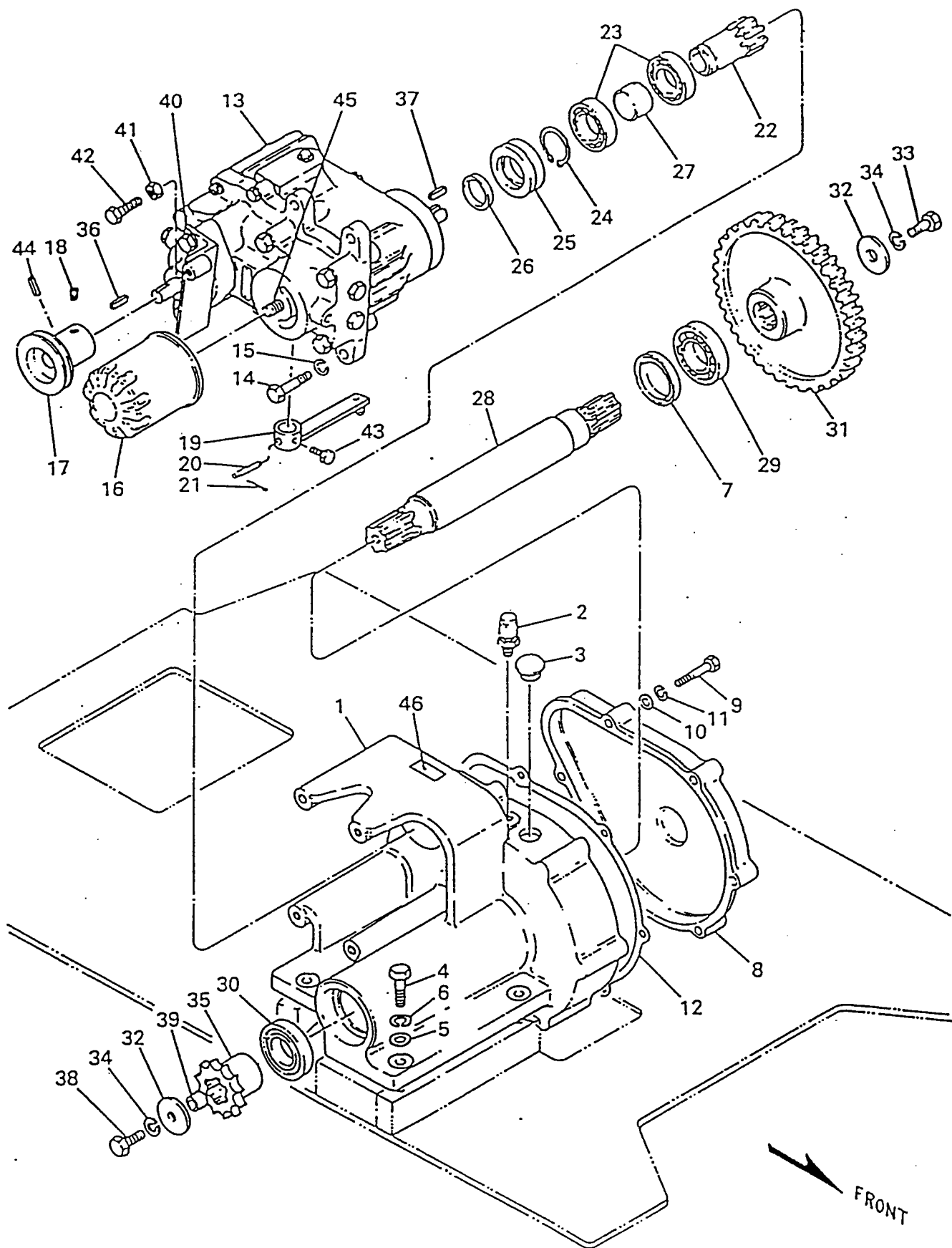
| Motoren,kpl | | | | | | | |
|-------------------|---------------------|----------|---------|---------|------|----------|------------|
| | Anzahl der Bauteile | | | | | | |
| Benennung | HW- 60 | HW - 65L | HW -65S | HW - 75 | Pos. | Identnr. | Bestellnr. |
| Motor Rubín DY30D | 1 | | | | 1 | | 2422101000 |
| Motor Rubín DY35D | | 1 | 1 | | | | 2962101000 |
| Motor Rubín DY41D | | | | 1 | | | 2562101001 |
| Motor Kubota EA8N | | | | 1 | | | 2512150100 |
| Schraube M10x55 | 4 | | | | 2 | 90729 | |
| Schraube M10x55 | | 4 | 4 | 4 | | 90729 | |
| Schraube M10x35 | | | | | | 90157 | |
| Federring 10 | 4 | 4 | 4 | 4 | 3 | 90065 | |
| Scheibe 10,5 | 4 | 4 | 4 | 4 | 4 | 94903 | |
| Antriebswelle | 1 | | | | 5 | | 2412102000 |
| Antriebswelle | | 1 | 1 | 1 | | | 3792102000 |
| Antriebswelle | | | | | | | 2512151001 |
| Schraube M10x45 | 4 | 4 | 4 | 4 | 6 | 91042 | |
| Schraube M10x30 | | | | | | 94903 | |
| Federring 10 | 4 | 4 | 4 | 4 | 7 | 90065 | |
| Paßfeder | 1 | | | | 8 | | 311270370 |
| Paßfeder | | 1 | 1 | 1 | | | 311207370 |
| Antriebskupplung | 1 | 1 | 1 | | 9 | | 2872110000 |
| Antriebskupplung | | | | 1 | | | 2502103000 |
| Zylinderschr. | 1 | 1 | 1 | 1 | 10 | | 176080202 |
| Ring | 1 | 1 | 1 | 1 | 12 | | 2812124001 |
| Gummi-Kupplung | 1 | 1 | 1 | 1 | 13 | | 2412111000 |
| Gummi-Kupplung | | | | | | | 455000211 |
| Zylinderschr. | 6 | 6 | 6 | 6 | 14 | | 176080302 |
| Klemmring | 1 | 1 | 1 | | 15 | | 2812112000 |
| Klemmring | | | | 1 | | | 2562150100 |
| Klemmring | | | | | | | 2502112000 |
| Imbusschr.M8x10 | 1 | 1 | 1 | 2 | 16 | | 177408107 |
| Paßfeder | 1 | 1 | 1 | 1 | 17 | | 311205290 |



| Hydraulischer Antrieb,kpl | Anzahl der Bauteile | | | | Pos. | Identnr. | Bestellnr. |
|---------------------------|---------------------|----------|---------|---------|------|----------|------------|
| Benennung | HW- 60 | HW - 65L | HW -65S | HW - 75 | | | |
| Gehäuse | 1 | 1 | 1 | 1 | 1 | | 2412220100 |
| Entlüftungsschr. | 1 | 1 | 1 | 1 | 2 | | 2512250000 |
| Stopfen | 1 | 1 | 1 | 1 | 3 | | 8201261000 |
| Schraube M10x35 | 4 | 4 | 4 | 4 | 4 | 90157 | |
| Schelbe 10,5 | 4 | 4 | 4 | 4 | 5 | 94903 | |
| Federring 10 | 4 | 4 | 4 | 4 | 6 | 90065 | |
| Wellendichtring | 1 | 1 | 1 | 1 | 7 | | 402145621 |
| Gehäusedeckel | 1 | 1 | 1 | 1 | 8 | | 2412202000 |
| Schraube M8 x45 | 6 | 6 | 6 | 6 | 9 | 92777 | |
| Scheibe 8,4 | 6 | 6 | 6 | 6 | 10 | 94990 | |
| Federring 8 | 6 | 6 | 6 | 6 | 11 | 90071 | |
| Dichtung | 1 | 1 | 1 | 1 | 12 | | 2412203000 |
| Pumpe | 1 | | | 1 | 13 | | 2412220000 |
| Pumpe | | 1 | 1 | | | | 2412205000 |
| Schraube M10x35 | 4 | 4 | 4 | 4 | 14 | 90157 | |
| Federring 10 | 4 | 4 | 4 | 4 | 15 | 90065 | |
| Ölfilter | 1 | 1 | 1 | 1 | 16 | | 08501B0112 |
| Keilriemenschelbe | 1 | | | | 17 | | 2412206000 |
| Keilriemenschelbe | | 1 | 1 | | | | 2732206001 |
| Keilriemenschelbe | | | | 1 | | | 2562206001 |
| Imbusschr. M8x10 | 2 | 2 | 2 | 2 | 18 | | 177408107 |
| Hebel | 1 | 1 | | | 19 | | 2812207001 |
| Hebel | | | 1 | 1 | | | 2712207001 |
| Stift | 1 | 1 | 1 | 1 | 20 | | 2762307000 |
| Splint | 2 | 2 | 2 | 2 | 21 | | 351320016 |
| Zahnwelle | 1 | 1 | 1 | 1 | 22 | | 2412210000 |

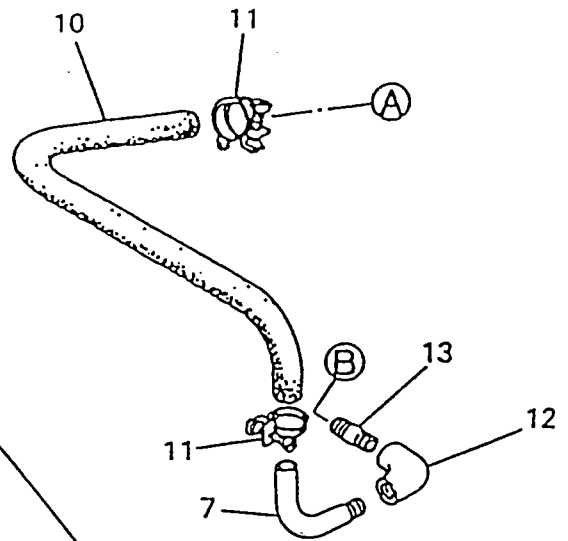


| Benennung | HW- 60 | HW - 65L | HW -65S | HW - 75 | Pos. | Identnr. | Bestellnr. |
|---------------------|--------|----------|---------|---------|------|----------|------------|
| Lager 6007 | 2 | 2 | 2 | 2 | 23 | | 521160071 |
| Sicherungsring | 1 | 1 | 1 | 1 | 24 | | 804103500 |
| Ring | 1 | 1 | 1 | 1 | 25 | | 2312215000 |
| Wellendichtring | 1 | 1 | 1 | 1 | 26 | | 402135481 |
| Hülse | 1 | 1 | 1 | 1 | 27 | | 2412211000 |
| Ritzelwelle | 1 | 1 | 1 | 1 | 28 | | 2412212002 |
| Lager 6207 | 1 | 1 | 1 | 1 | 29 | | 521162071 |
| Lager 6207 LLU | 1 | 1 | 1 | 1 | 30 | | 521562071 |
| Zahnrad Nr.2 | 1 | 1 | 1 | 1 | 31 | | 2412213001 |
| Scheibe 40x10,5x3,2 | 2 | 2 | 2 | 2 | 32 | | 933110411 |
| Schraube M10x20 | 1 | 1 | 1 | 1 | 33 | 94901 | |
| Federring 10 | 2 | 2 | 2 | 2 | 34 | | 251210001 |
| Kettenrad | 1 | | | | 35 | | 2412216000 |
| Kettenrad | | 1 | | | | | 2652202001 |
| Kettenrad | | | 1 | 1 | | | 2512216000 |
| Paßfeder 5x5x29 | 1 | 1 | 1 | 1 | 36 | | 311205290 |
| Paßfeder 5x5x34 | 1 | 1 | 1 | 1 | 37 | | 311305340 |
| Schraube M10x20 | 1 | | | | 38 | 94901 | |
| Schraube M10x35 | | 1 | 1 | 1 | | 90157 | |
| Hülse | 1 | 1 | 1 | | 39 | | 2652217001 |
| | | | | 1 | | | 2512217000 |
| Schutzwinkel | 1 | 1 | 1 | 1 | 40 | | 2412231000 |
| Mutter M10 | 1 | 1 | 1 | 1 | 41 | 94905 | |
| Schraube M10x35 | 1 | 1 | 1 | 1 | 42 | 90157 | |
| Schraube M8x16 | 1 | 1 | 1 | 1 | 43 | 90121 | |
| Spannstift 4x40 | 1 | 1 | 1 | | 44 | 90162 | |
| Spannstift 6x40 | | | | 1 | | 90150 | |
| Schraube 3/4-16UNF | 1 | 1 | 1 | 1 | 45 | | 302025520 |

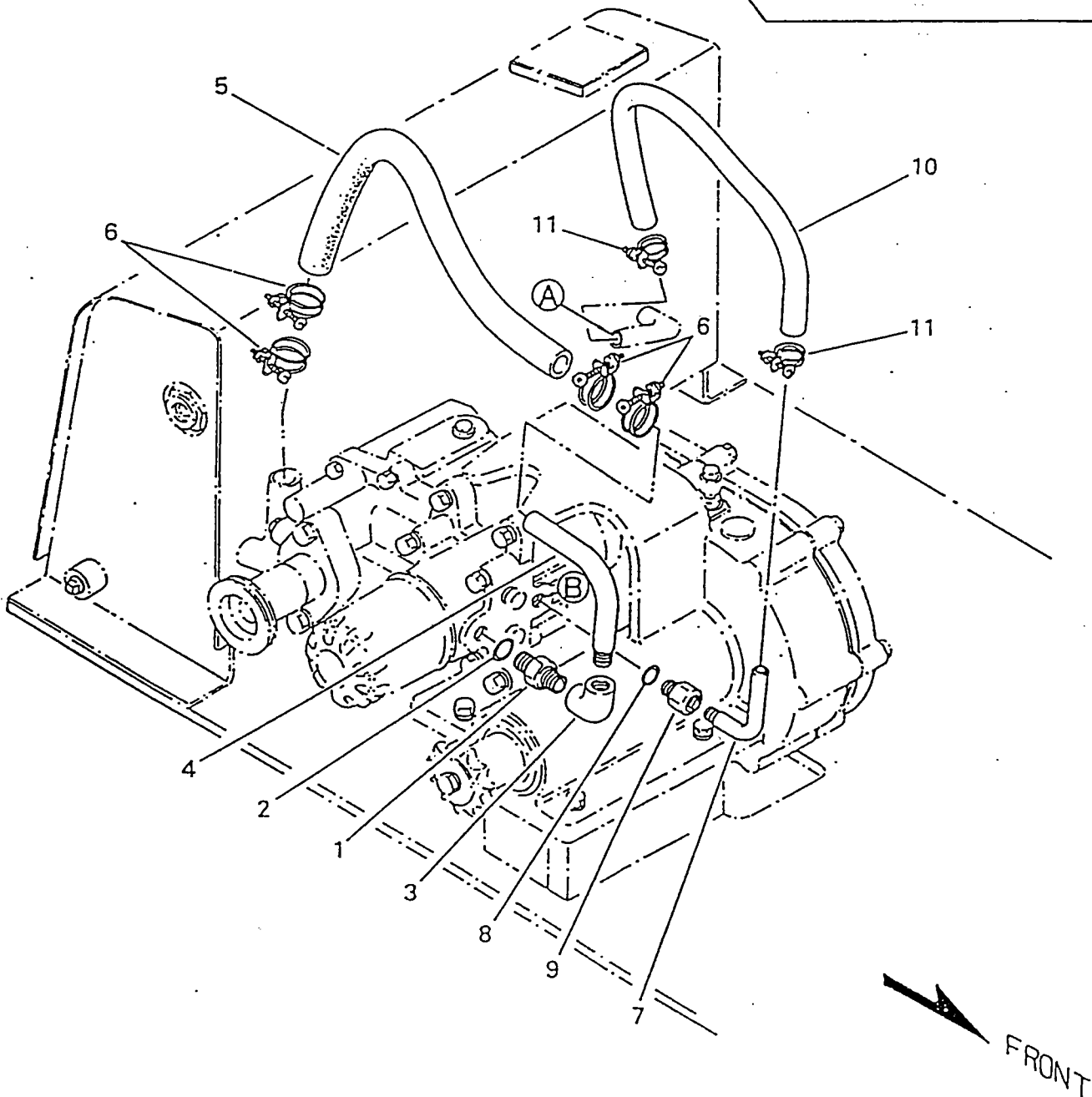


| Benennung | HW- 60 | HW - 65L | HW -65S | HW - 75 | Pos. | Identnr. | Bestellnr. | |
|------------|--------|----------|---------|---------|------|----------|------------|--|
| Schild (Ö) | 1 | 1 | 1 | 1 | 46 | | 2413507001 | |

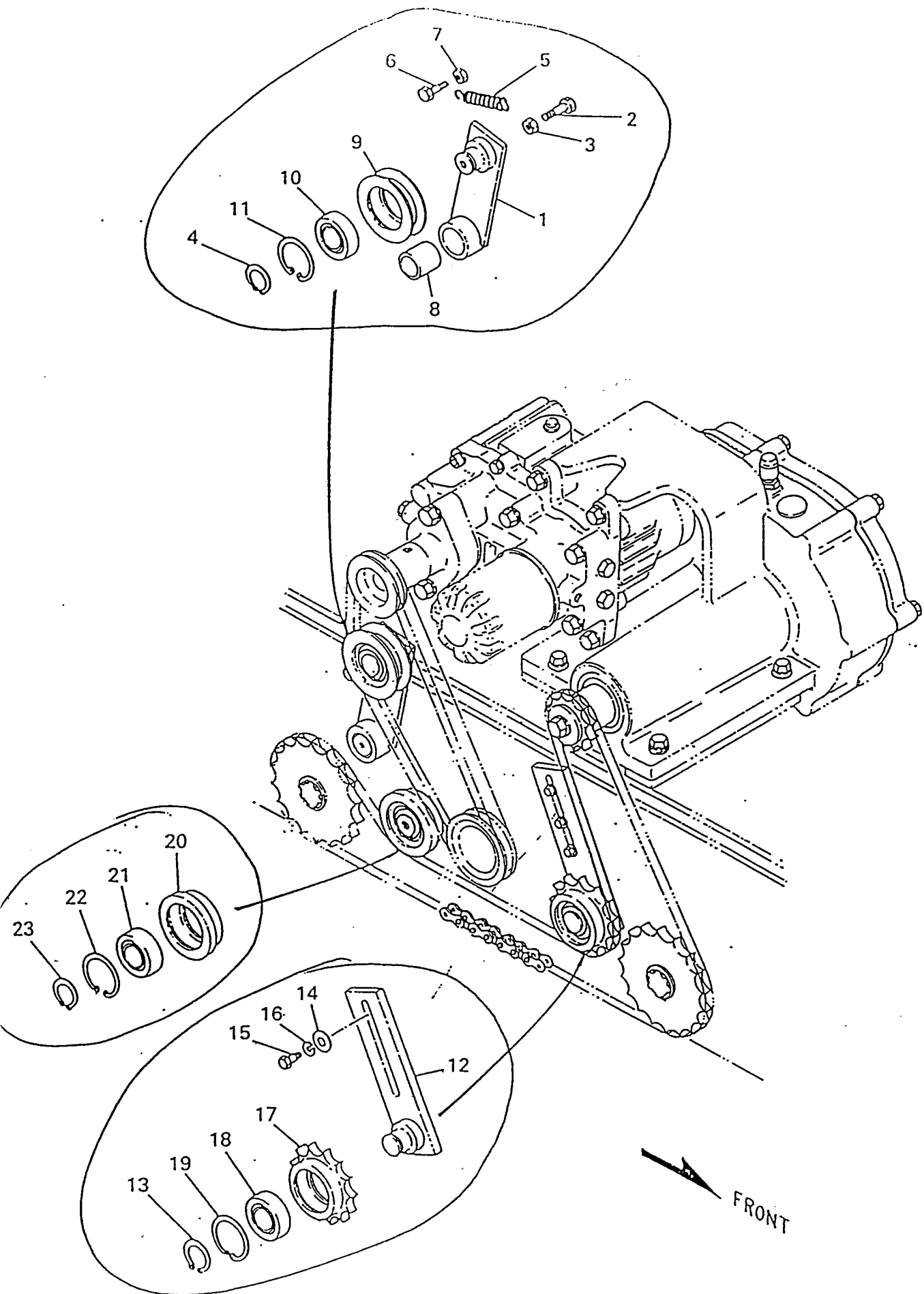
FOR "DAIKIN" TRANSMISSION



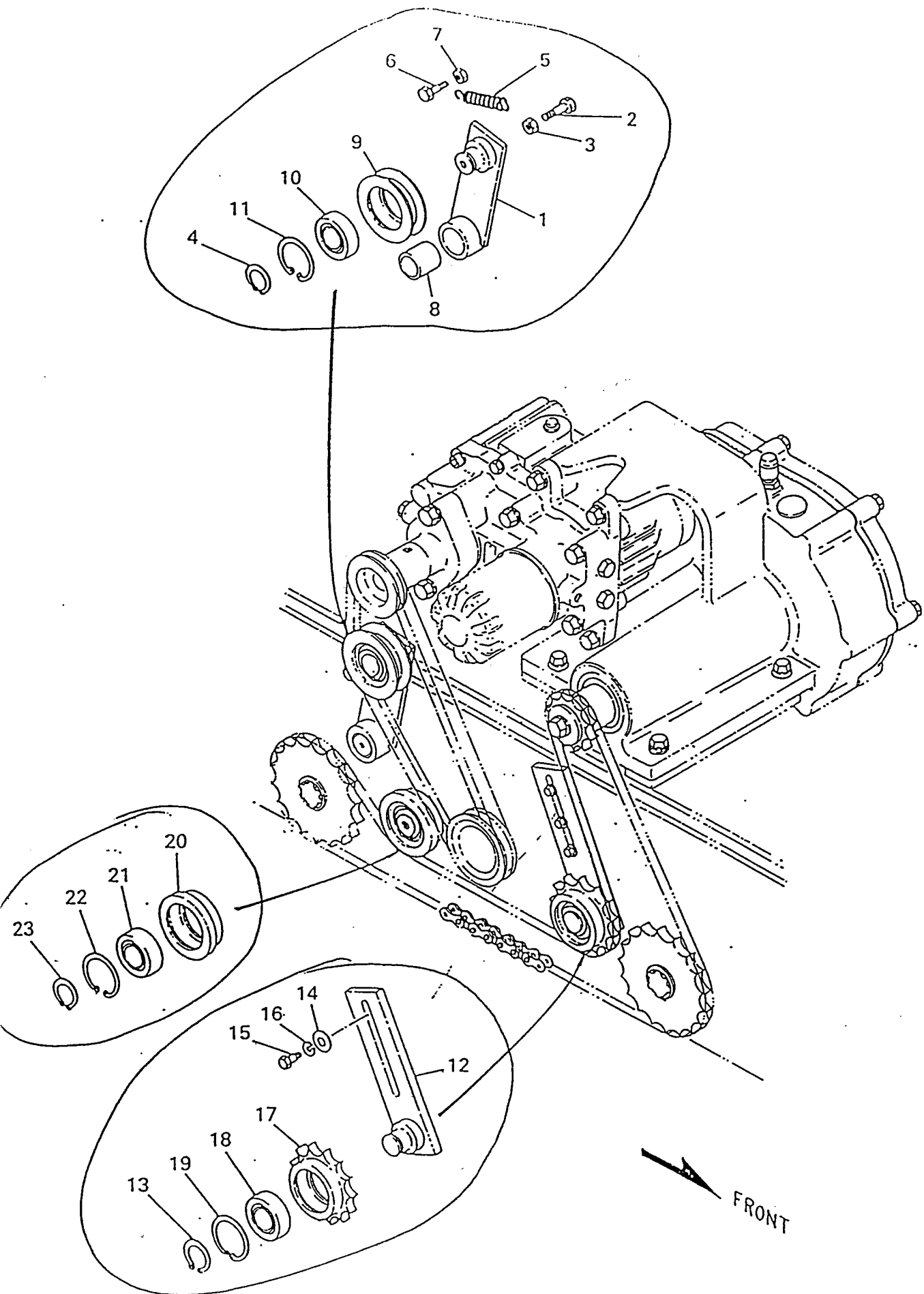
FOR "KAYABA" TRANSMISSION



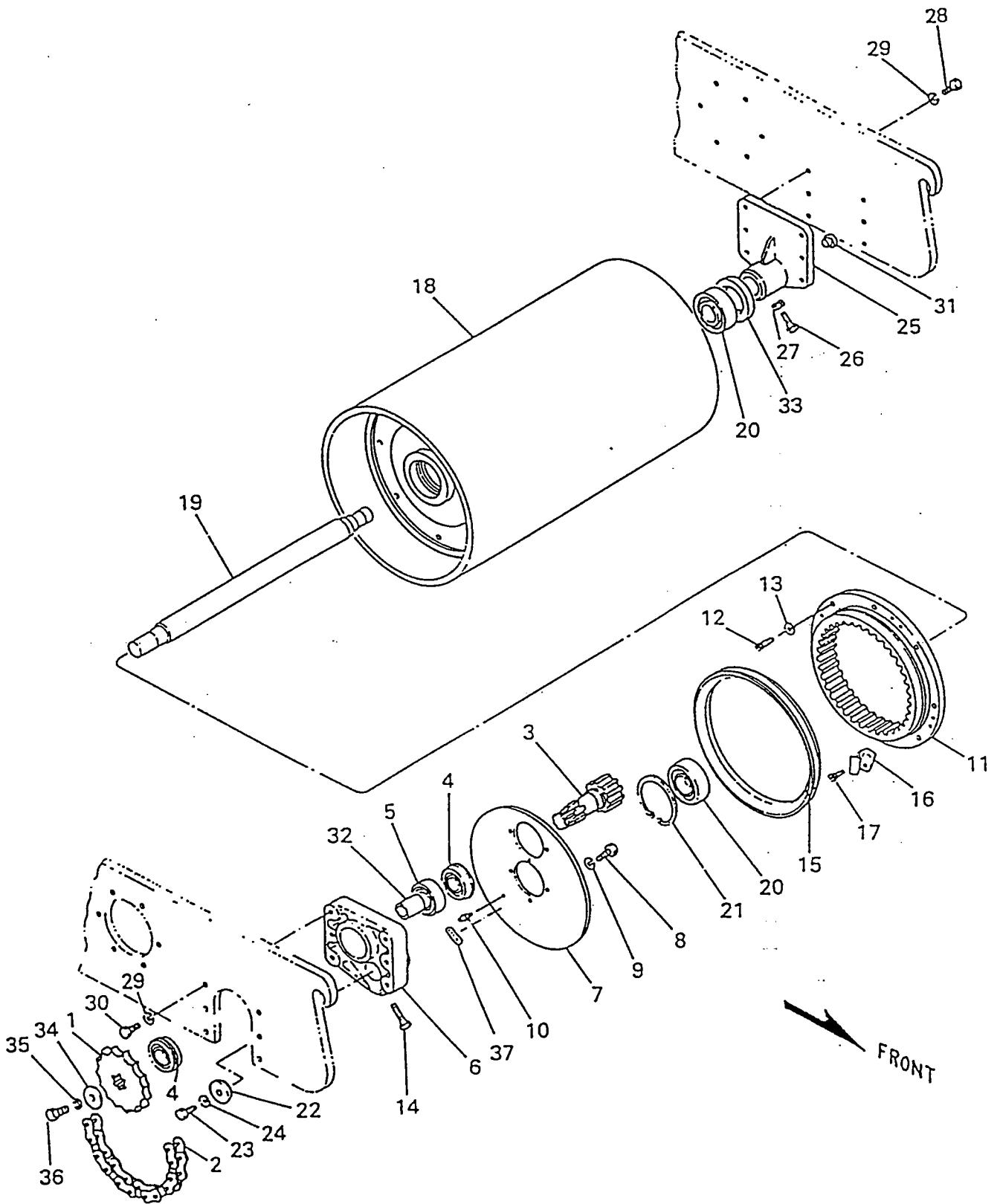
| Verbindungseinheit ,kpi(Tank-Hydraulik) | | | | | | | |
|---|---------------------|----------|---------|---------|------|----------|------------|
| Benennung | Anzahl der Bauteile | | | | Pos. | Identnr. | Bestellnr. |
| | HW- 60 | HW - 65L | HW -65S | HW - 75 | | | |
| Hohlschraube | 1 | 1 | 1 | 1 | 1 | | 852102103 |
| O-Ring P16 | 1 | 1 | 1 | 1 | 2 | | 401101601 |
| Winkelstück | 1 | 1 | 1 | 1 | 3 | | 301114410 |
| Rohr | 1 | 1 | 1 | 1 | 4 | | 302054010 |
| Schlauch Saugseite | 1 | | | | 5 | | 2812403000 |
| Schlauch Saugseite | | 1 | 1 | | | | 2902401000 |
| Schlauch Saugseite | | | | 1 | | | 2512403000 |
| Schelle 34 | 4 | 4 | 4 | 4 | 6 | | 921108700 |
| Winkelrohr | 1 | 1 | 1 | 1 | 7 | | 302052010 |
| O-Ring P14 | 1 | | | 1 | 8 | | 401101401 |
| Überwurfmutter | 1 | | | 1 | 9 | | 852501603 |
| Rücklaufschlauch | 1 | | | | 10 | | 2812406000 |
| Rücklaufschlauch | | 1 | 1 | | | | 2712403000 |
| Rücklaufschlauch | | | | 1 | | | 2312406000 |
| Schelle 23 | 2 | 2 | 2 | 2 | 11 | | 921108800 |
| Winkelstück | | 1 | 1 | | 12 | | 301112210 |
| Hohlschraube | | 1 | 1 | | 13 | | 303042205 |



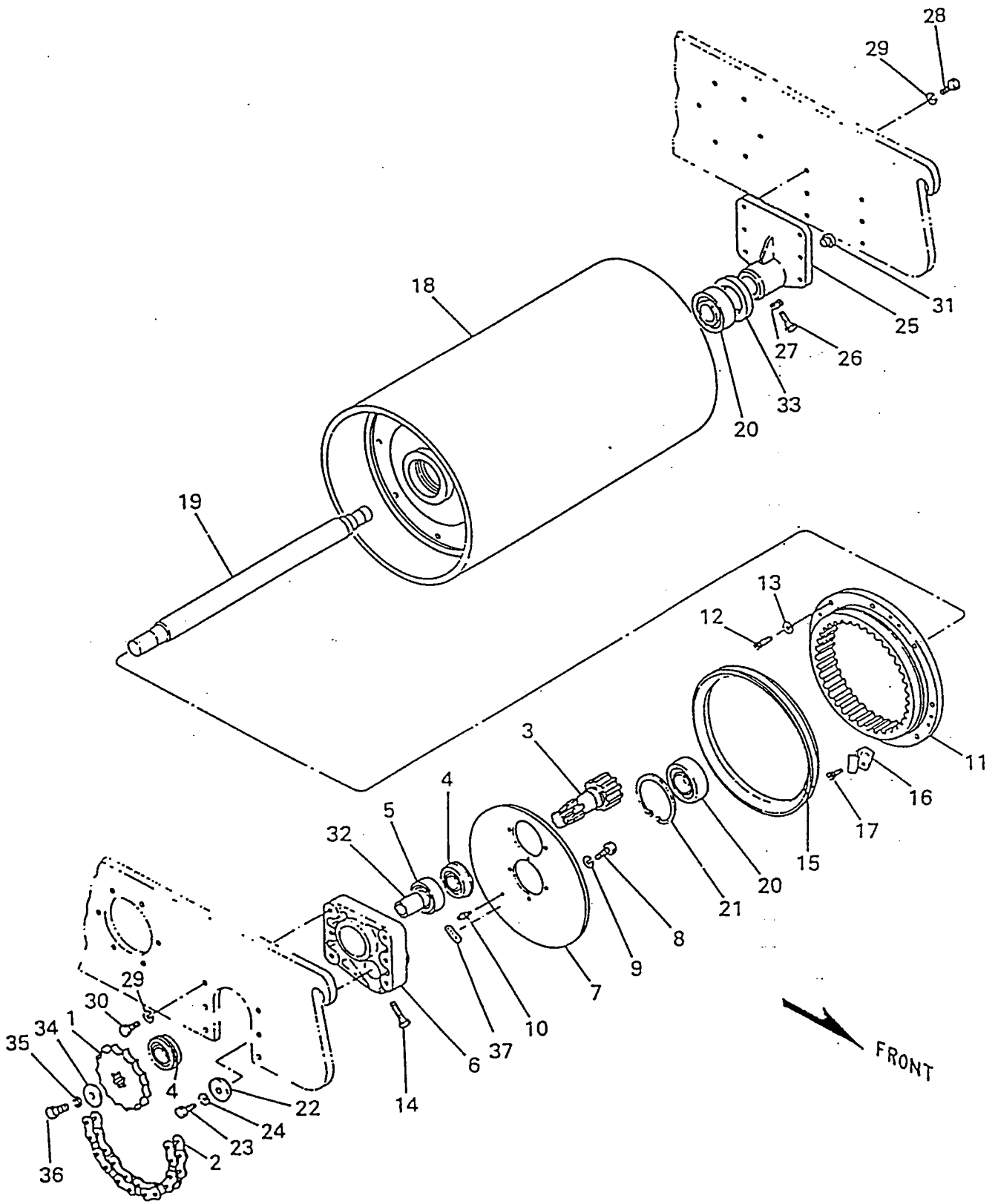
| Kettenantrieb,kpl | Anzahl der Bauteile | | | | Pos. | Identnr. | Bestellnr. |
|---------------------|---------------------|----------|---------|---------|------|----------|------------|
| | HW- 60 | HW - 65L | HW -65S | HW - 75 | | | |
| Spannhebel | 1 | 1 | 1 | 1 | 1 | | 2412901000 |
| Schraube M10x30 | 1 | 1 | 1 | 1 | 2 | 94904 | |
| Mutter M10 | 1 | 1 | 1 | 1 | 3 | 94905 | |
| Sicherungsring S25 | 1 | 1 | 1 | 1 | 4 | | 804102500 |
| Feder | 1 | 1 | 1 | 1 | 5 | | 2412904000 |
| Schraube M10x25 | 1 | 1 | | | 6 | 90457 | |
| Schraube M12x35 | | | 1 | 1 | | 90822 | |
| Mutter M10 | 1 | 1 | | | 7 | 94905 | |
| Mutter M12 | | | 1 | 1 | | 90101 | |
| Lagerschale | 1 | 1 | 1 | 1 | 8 | | 2762612000 |
| Keilriemenscheibe | 1 | 1 | 1 | 1 | 9 | | 2412907001 |
| Lager 6205ZZ | 1 | 1 | 1 | 1 | 10 | | 521362051 |
| Sicherungsring S52 | 1 | 1 | 1 | 1 | 11 | | 804205200 |
| Verstellhebel | 1 | | | | 12 | | 2412819991 |
| Verstellhebel | | 1 | | | | | 2652910002 |
| Verstellhebel | | | 1 | 1 | | | 2312910002 |
| Sicherungsring S25 | 1 | 1 | 1 | 1 | 13 | | 804102500 |
| Scheibe 30x10,5x4,5 | 3 | 3 | | | 14 | | 933110311 |
| Scheibe 30x12,5x6 | | | 3 | 3 | | | 933110141 |
| Schraube M10x35 | 3 | 3 | | | 15 | 90157 | |
| Schraube M12x40 | | | 3 | 3 | | 91057 | |
| Federring 10 | 3 | 3 | | | 16 | 90065 | |
| Federring 12 | | | 3 | 3 | | 90272 | |
| Kettenrad | 1 | | | | 17 | | 2412915000 |
| Kettenrad | | 1 | 1 | 1 | | | 2312914001 |
| Lager 6205ZZ | 1 | 1 | 1 | 1 | 18 | | 521362051 |
| Sicherungsring R52 | 1 | 1 | 1 | 1 | 19 | | 804205200 |
| Zwischenrad | 1 | 1 | 1 | 1 | 20 | | 2412916000 |



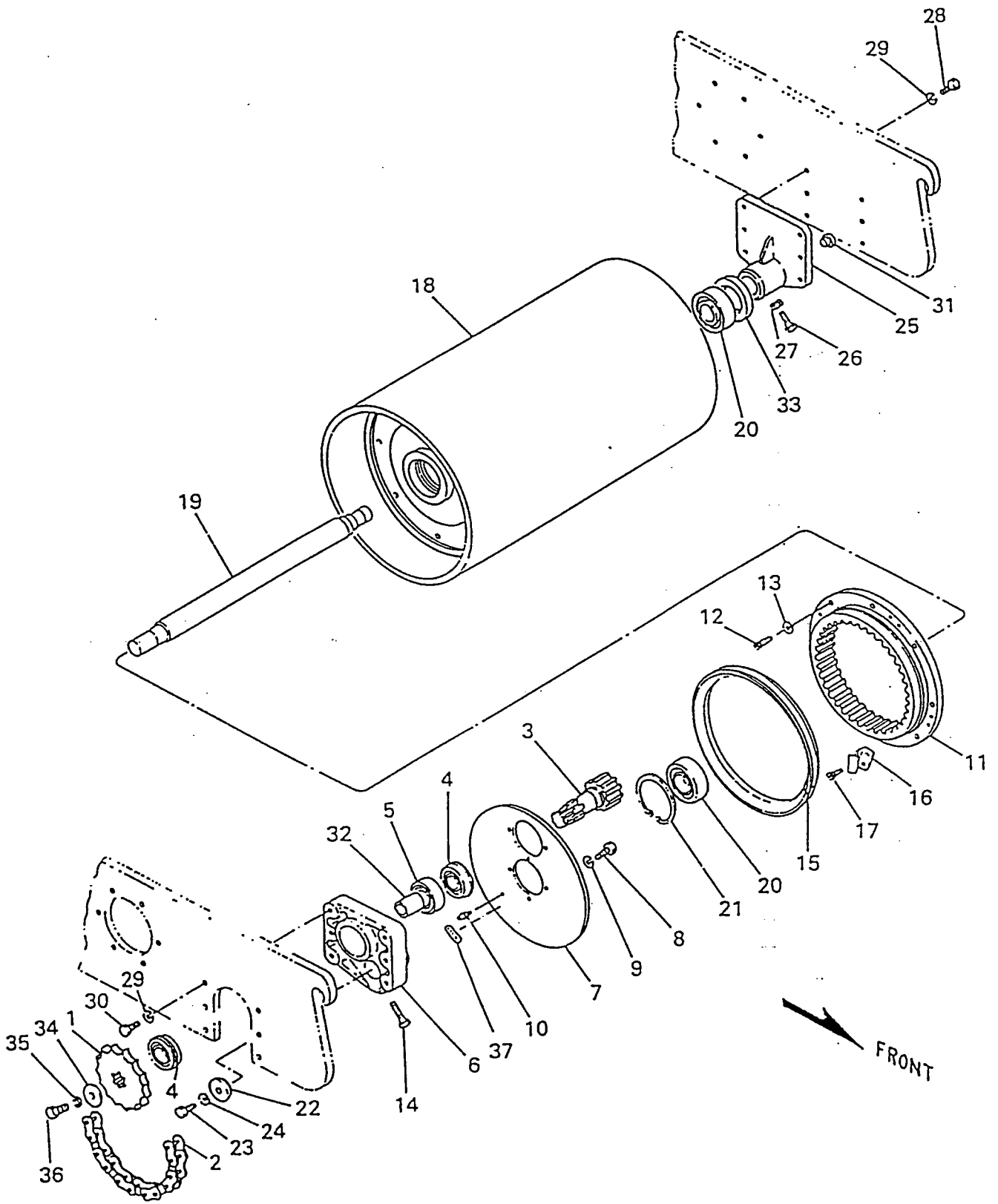
| Benennung | HW- 60 | HW - 65L | HW -65S | HW - 75 | Pos. | Identnr. | Bestellnr. |
|--------------------|--------|----------|---------|---------|------|----------|------------|
| Lager 6205ZZ | 1 | 1 | 1 | 1 | 21 | | 521362051 |
| Sicherungsring R52 | 1 | 1 | 1 | 1 | 22 | | 804205200 |
| Sicherungsring S25 | 1 | 1 | 1 | 1 | 23 | | 804102500 |



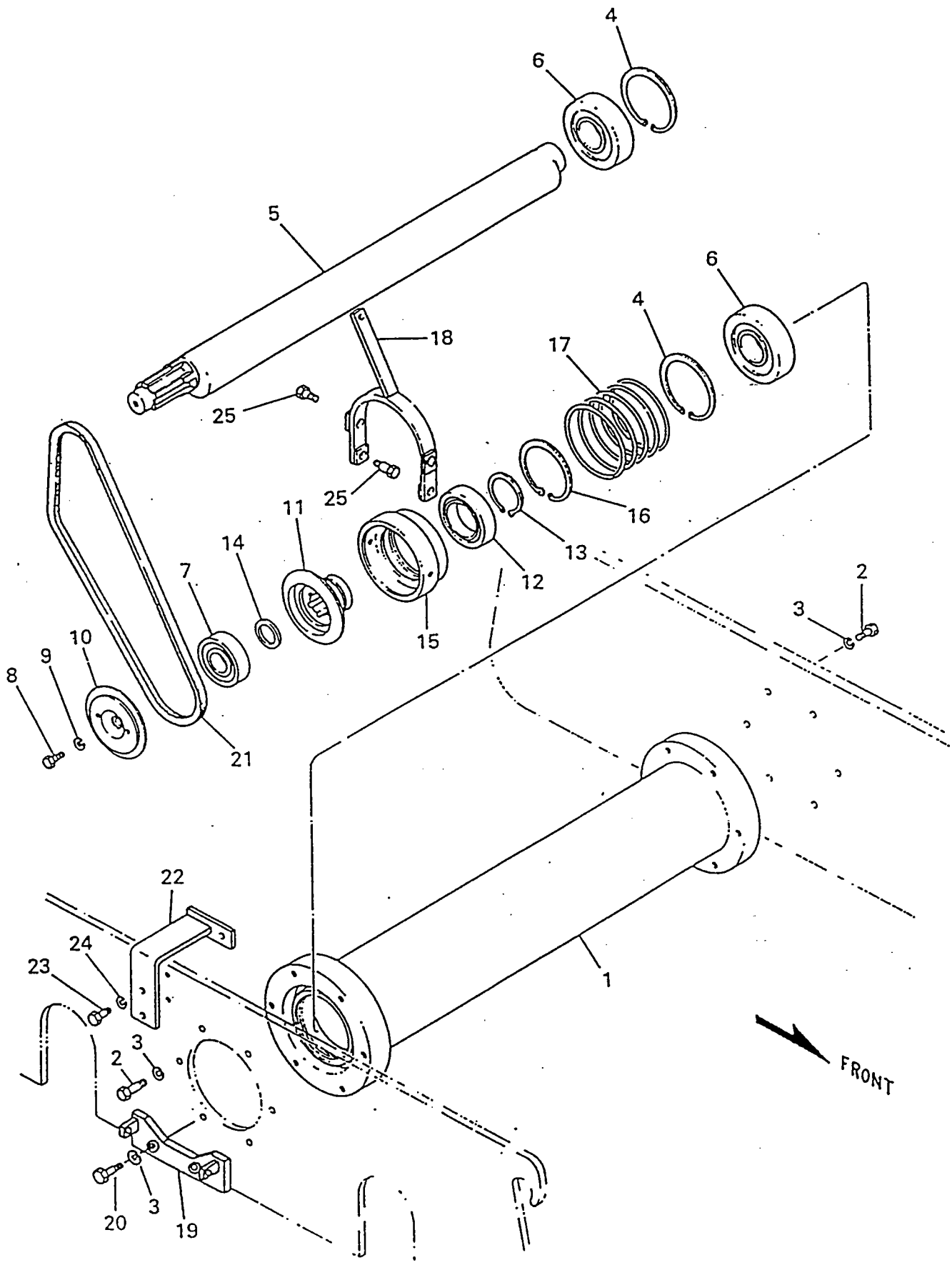
| Bandagen,kpl | | | | | | | |
|--------------------|---------------------|----------|---------|---------|------|----------|------------|
| | Anzahl der Bauteile | | | | | | |
| Benennung | HW- 60 | HW - 65L | HW -65S | HW - 75 | Pos. | Identnr. | Bestellnr. |
| Kettenrad | 2 | | | | 1 | | 2412701001 |
| Kettenrad | | 2 | | | | | 2912701000 |
| Kettenrad | | | 2 | | | | 2712701001 |
| Kettenrad | | | | 2 | | | 2312701001 |
| Kette | 1 | | | | 2 | | 801411230 |
| Kette | | 1 | 1 | | | | 801511110 |
| Kette | | | | 1 | | | 801511250 |
| Zahnradwelle | 2 | 2 | | | 3 | | 2412702002 |
| Zahnradwelle | | | 2 | | | | 2712702003 |
| Zahnradwelle | | | | 2 | | | 2312702004 |
| Lager 6007 ZZ NR | 4 | 4 | | 4 | 4 | | 521360073 |
| Lager 6207 ZZ NR | | | 4 | | | | 521362073 |
| Lager 6007 ZZ | | | | 2 | 5 | | 521360071 |
| rechter Träger | 2 | 2 | | | 6 | | 2412703002 |
| rechter Träger | | | 2 | | | | 2712703001 |
| rechter Träger | | | | 2 | | | 2312703001 |
| Verschlußplatte | 2 | 2 | | | 7 | | 2412704000 |
| Verschlußplatte | | | 2 | | | | 2712704000 |
| Verschlußplatte | | | | 2 | | | 2312704000 |
| Schraube M8x20 | 10 | 10 | 10 | 12 | 8 | 90461 | |
| Federring 8 | 10 | 10 | 10 | 12 | 9 | 90071 | |
| Schmlernippel A1/8 | 2 | 2 | 2 | 2 | 10 | | 575510000 |
| Zahnkranz | 2 | 2 | | | 11 | | 2412705001 |
| Zahnkranz | | | 2 | | | | 2712705002 |
| Zahnkranz | | | | 2 | | | 2312705001 |
| Schraube M10x30 | 16 | 16 | | | 12 | 94904 | |
| Schraube M10x35 | | | 16 | | | 90157 | |
| Zylinderschr. | | | | 16 | | | 176100252 |
| Federring 10 | 16 | 16 | 16 | | 13 | 90065 | |
| Schraube M12x45 | | | 4 | | 14 | 193390 | |
| Schraube M12x55 | | | | 4 | | | 180112550 |
| Dichtring | 2 | 2 | | | 15 | | 2412706000 |
| Dichtring | | | 2 | | | | 2712706000 |
| Dichtring | | | | 2 | | | 2312706000 |



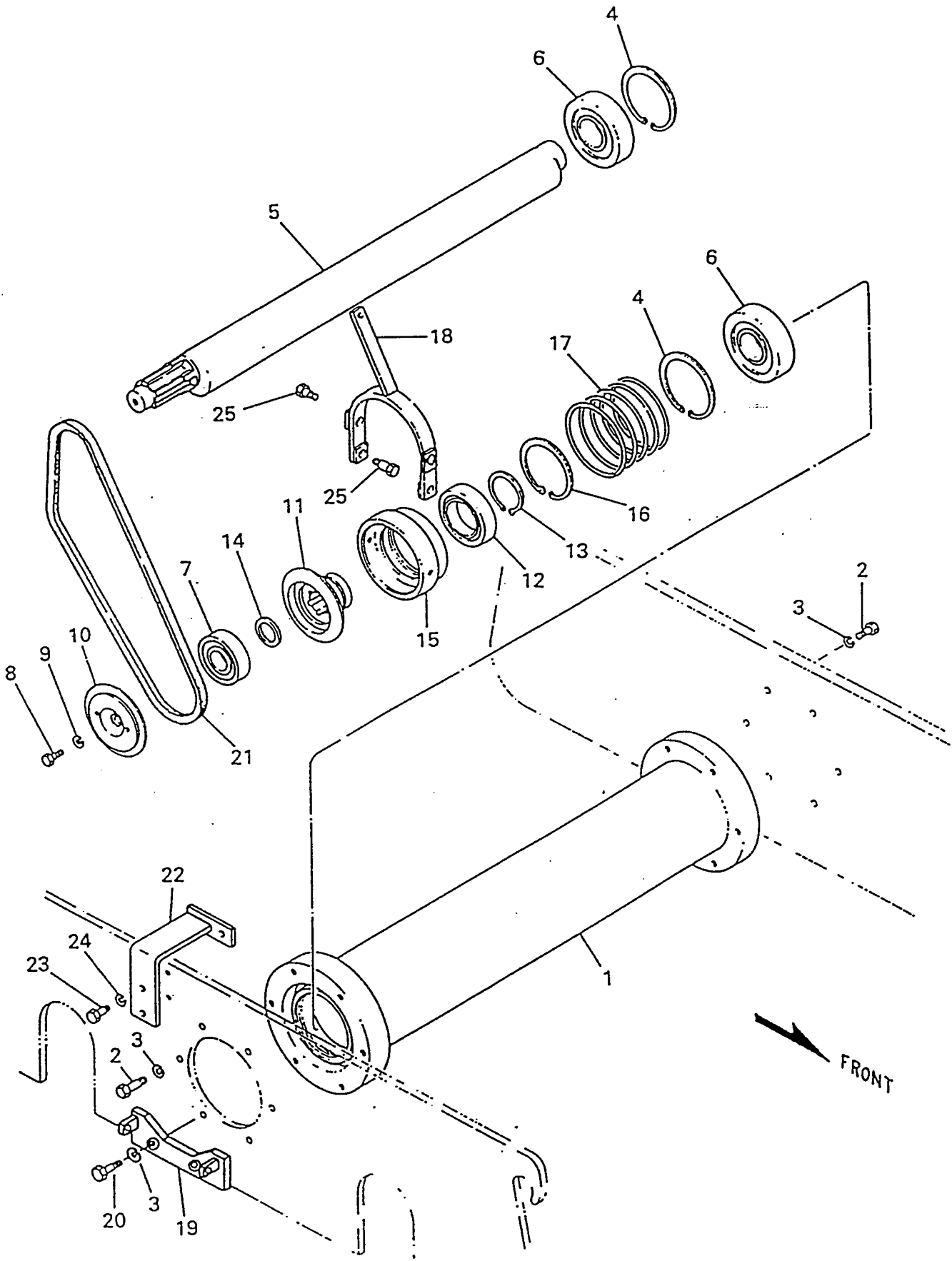
| Benennung | HW- 60 | HW - 65L | HW -65S | HW - 75 | Pos. | Identnr. | Bestellnr. |
|--------------------|--------|----------|---------|---------|------|----------|------------|
| Dichtringhalter | 8 | 8 | 8 | 8 | 16 | | 2312707001 |
| Zylinderschr. | 16 | 16 | 16 | 16 | 17 | | 176060122 |
| Bandage | 2 | | | | 18 | | 2412707000 |
| Bandage | | 2 | | | | | 2652709000 |
| Bandage | | | 2 | | | | 2712707001 |
| Bandage | | | | 2 | | | 2312710001 |
| Lagerwelle | 2 | | | | 19 | | 2412713000 |
| Lagerwelle | | 2 | | | | | 2652714000 |
| Lagerwelle | | | 2 | | | | 2712715001 |
| Lagerwelle | | | | 2 | | | 2312718991 |
| Lager 6307 LLUC3 | 4 | 4 | | | 20 | | 521563077 |
| Lager 6308LLUC3 | | | 4 | 4 | | | 521563087 |
| Sicherungsring R80 | 2 | 2 | | | 21 | | 804208000 |
| Sicherungsring R90 | | | 2 | 2 | | | 804209000 |
| Scheibe | 2 | 2 | | | 22 | | 2412714000 |
| Scheibe | | | 2 | | | | 2712716001 |
| Scheibe | | | | 2 | | | 2312721000 |
| Schraube M12x30 | 2 | 2 | 2 | 2 | 23 | 90920 | |
| Federring 12 | 2 | 2 | 2 | 2 | 24 | 90272 | |
| linker Träger | 2 | 2 | | | 25 | | 2412715000 |
| linker Träger | | | 2 | | | | 2712718001 |
| linker Träger | | | | 2 | | | 2312708001 |
| Schraube M10x20 | 4 | 4 | | | 26 | 94901 | |
| Schraube M12x25 | | | 4 | | | 90530 | |
| Schraube M12x40 | | | | 4 | | 91057 | |
| Mutter M12 | | | | 4 | 27 | 90101 | |
| Schraube M10x35 | 12 | 12 | | | 28 | 90157 | |
| Schraube M12x35 | | | 12 | 12 | | 90822 | |
| Federring 10 | 24 | 24 | | | 29 | 90065 | |
| Federring 12 | | | 24 | 24 | | 90272 | |
| Schraube M10x35 | 12 | 12 | | | 30 | 90157 | |
| Schraube M12x40 | | | 12 | 12 | | 91057 | |
| Verschlusskappe | | | 2 | 2 | 31 | | 2512730000 |



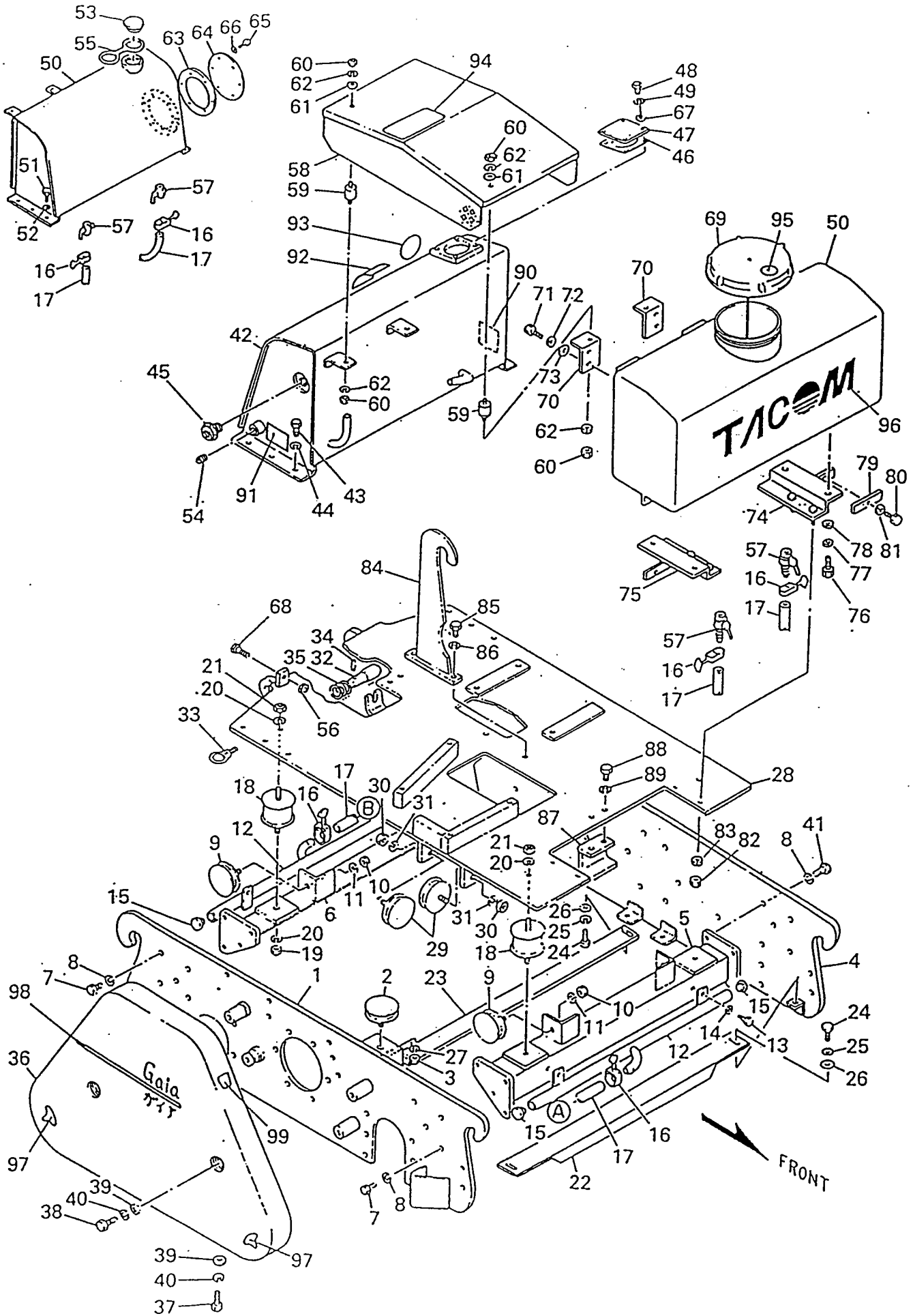
| Benennung | HW- 60 | HW - 65L | HW -65S | HW - 75 | Pos. | Identnr. | Bestellnr. |
|-------------------|--------|----------|---------|---------|------|----------|------------|
| Hülse | 2 | 2 | | | 32 | | 2412702102 |
| Hülse | | | 2 | | | | 2712702102 |
| Hülse | | | | 2 | | | 2512702101 |
| Wellendichtring | | | 2 | 2 | 33 | | 402570921 |
| Scheibe 40x10,5x6 | 2 | 2 | 2 | 2 | 34 | | 933110251 |
| Federring 10 | 2 | 2 | 2 | 2 | 35 | 90065 | |
| Schraube M10x30 | 2 | 2 | 2 | 2 | 36 | 94904 | |
| Schmierstift | 2 | 2 | 2 | 2 | 37 | | 8253501700 |



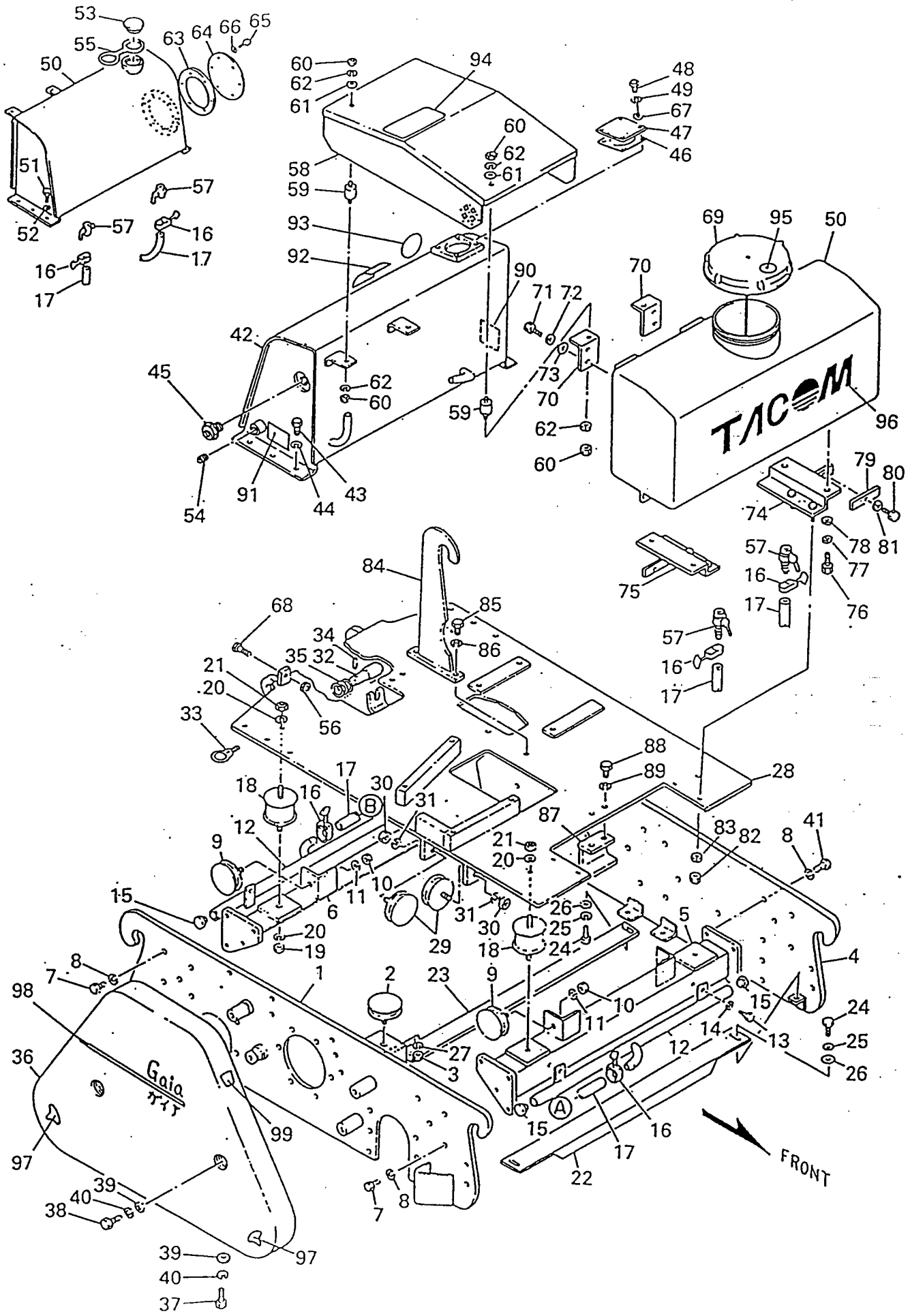
| Unwucht,kpl | Anzahl der Bauteile | | | | Pos. | Identnr. | Bestellnr. |
|---------------------|---------------------|----------|---------|---------|------|----------|------------|
| | HW- 60 | HW - 65L | HW -65S | HW - 75 | | | |
| Vibrationsgehäuse | 1 | | | | 1 | | 2412501000 |
| Vibrationsgehäuse | | 1 | 1 | | | | 2712501001 |
| Vibrationsgehäuse | | | | 1 | | | 2312501001 |
| Schraube M10x35 | 10 | | | | 2 | 90157 | |
| Schraube M12x35 | | 10 | 10 | 10 | | 90822 | |
| Federring 10 | 12 | | | | 3 | 90065 | |
| Federring 12 | | 12 | 12 | 12 | | 90272 | |
| Sicherungsring R80 | 2 | | | | 4 | | 804208000 |
| Sicherungsring R90 | | 2 | 2 | | | | 804209000 |
| Sicherungsring R100 | | | | 2 | | | 804210000 |
| Unwuchtwelle | 1 | | | | 5 | | 2812506002 |
| Unwuchtwelle | | 1 | | | | | 2652506001 |
| Unwuchtwelle | | | 1 | | | | 2712506002 |
| Unwuchtwelle | | | | 1 | | | 2562506000 |
| Lager 6307ZZ | 2 | | | | 6 | | 521363071 |
| Lager 6308ZZ C3 | | 2 | 2 | | | | 521363087 |
| Lager 6309ZZ C3 | | | | 2 | | | 521363097 |
| Lager 6205 ZZ | 1 | 1 | 1 | 1 | 7 | | 521362051 |
| Schraube M8x25 | 1 | 1 | 1 | 1 | 8 | 90233 | |
| Federring 8 | 1 | 1 | 1 | 1 | 9 | 90071 | |
| Trägerschelbe | 1 | | | 1 | 10 | | 2512509002 |
| Trägerschelbe | | 1 | 1 | | | | 2412509001 |
| Trägerflansch | 1 | 1 | 1 | 1 | 11 | | 2512508002 |
| Lager 6309 LLU C3 | 1 | 1 | 1 | 1 | 12 | | 521560097 |
| Sicherungsring S45 | 1 | 1 | 1 | 1 | 13 | | 804104500 |
| Hülse | 1 | | | 1 | 14 | | 2512507002 |
| Hülse | | 1 | 1 | | | | 2412507001 |
| Verstellhülse | 1 | | | 1 | 15 | | 2512510001 |
| Verstellhülse | | 1 | 1 | | | | 2412510002 |
| Sicherungsring R75 | 1 | 1 | 1 | 1 | 16 | | 804207500 |
| Feder | 1 | 1 | 1 | 1 | 17 | | 2412511001 |



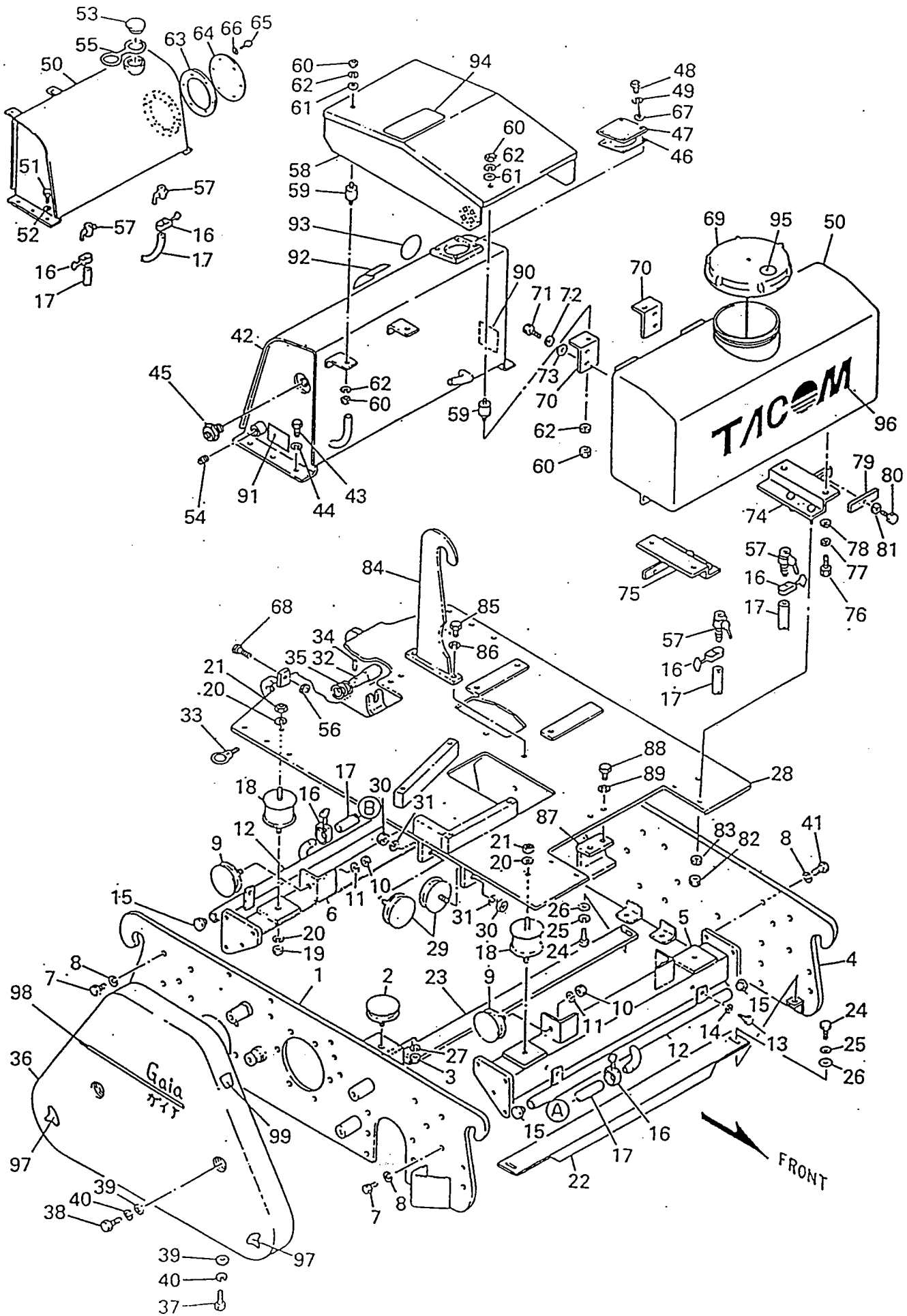
| Benennung | HW- 60 | HW - 65L | HW -65S | HW - 75 | Pos. | Identnr. | Bestellnr. |
|-------------------|--------|----------|---------|---------|------|----------|------------|
| Verstellhebel | 1 | | | | 18 | | 2412512002 |
| Verstellhebel | | 1 | 1 | | | | 2712512002 |
| Verstellhebel | | | | 1 | | | 2512512002 |
| Verstellplatte | 1 | | | | 19 | | 2412530001 |
| Verstellplatte | | 1 | 1 | | | | 2712530002 |
| Verstellplatte | | | | 1 | | | 2512530001 |
| Schraube M10x40 | 2 | | | | 20 | 90169 | |
| Schraube M12x40 | | 2 | 2 | 2 | | 91057 | |
| Kellriemen A35RED | 1 | 1 | 1 | | 21 | | 323203520 |
| Kellriemen A36RED | | | | 1 | | | 323203620 |
| Haltewinkel | 1 | | | | 22 | | 2412518000 |
| Haltewinkel | | 1 | | | | | 2652518000 |
| Haltewinkel | | | 1 | | | | 2712518000 |
| Haltewinkel | | | | 1 | | | 2512518001 |
| Schraube M10x20 | 2 | | | | 23 | 94901 | |
| Schraube M12x20 | | 2 | 2 | 2 | | 90282 | |
| Federring 10 | 2 | | | | 24 | 90065 | |
| Federring 12 | | 2 | 2 | 2 | | 90272 | |
| Stiftschraube | 4 | 4 | 4 | 4 | 25 | | 2412525002 |



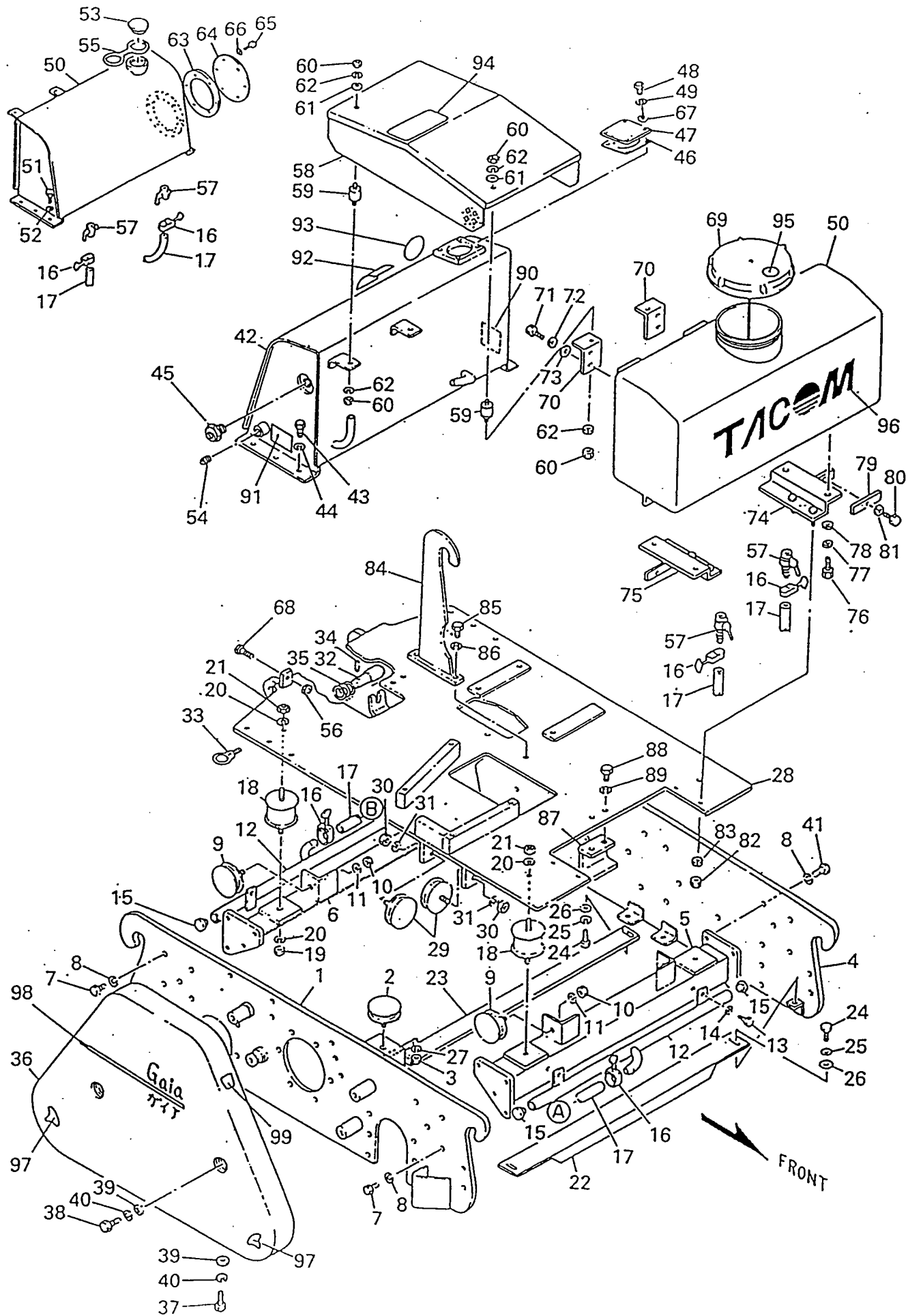
| Obermasse,kpl | | | | | | | |
|----------------------|---------------------|----------|---------|---------|------|----------|------------|
| | Anzahl der Bauteile | | | | | | |
| Benennung | HW- 60 | HW - 65L | HW -65S | HW - 75 | Pos. | Identnr. | Bestellnr. |
| Seitenplatte(rechts) | 1 | | | | 1 | | 2813010003 |
| Seitenplatte(rechts) | | 1 | | | | | 2653010004 |
| Seitenplatte(rechts) | | | 1 | | | | 2713010003 |
| Seitenplatte(rechts) | | | | 1 | | | 2543010004 |
| Gummipuffer | 1 | 1 | 1 | | 2 | | 2413019000 |
| Gummipuffer | | | | 1 | | | 2513019000 |
| Mutter M12 | 1 | 1 | 1 | 1 | 3 | 90101 | |
| Seitenplatte(links) | 1 | | | | 4 | | 2813030003 |
| Seitenplatte(links) | | 1 | | | | | 2653030003 |
| Seitenplatte(links) | | | 1 | | | | 2713030003 |
| Seitenplatte(links) | | | | 1 | | | 2543025004 |
| Platte | 2 | | | | 5 | | 2413040000 |
| Platte | | 2 | 2 | | | | 2713040000 |
| Platte (F) | | | | 1 | | | 2313030000 |
| Platte(R) | | | | 1 | 6 | | 2313031000 |
| Schraube M10x25 | 8 | | | | 7 | 90457 | |
| Schraube M12x25 | | 8 | | | | 90530 | |
| Schraube M12x30 | | | 8 | 8 | | 90920 | |
| Federring 10 | 16 | | | | 8 | 90065 | |
| Federring 12 | | 16 | 16 | 16 | | 90272 | |
| Gummipuffer | 4 | 4 | 4 | 4 | 9 | | 2313040000 |
| Sicherungsmutter | 4 | 4 | 4 | 4 | 10 | | 902011010 |
| Federring 10 | 4 | 4 | 4 | 4 | 11 | 90065 | |
| Auslaufrohr(F) | 1 | | | | 12 | | 2873048000 |
| Auslaufrohr(R) | 1 | | | | | | 2843050000 |
| Auslaufrohr(F) | | 1 | 1 | | | | 2903045000 |
| Auslaufrohr(R) | | 1 | 1 | | | | 2903046000 |
| Auslaufrohr | | | | 2 | | | 2513045000 |
| Schraube M8x16 | 4 | 4 | 4 | 4 | 13 | 90121 | |
| Federring 8 | 4 | 4 | 4 | 4 | 14 | 90071 | |
| Verschlusskappe | 4 | 4 | 4 | 4 | 15 | | 5301627000 |
| Schlauchschelle | 4 | 4 | 4 | 4 | 16 | | 092111J900 |



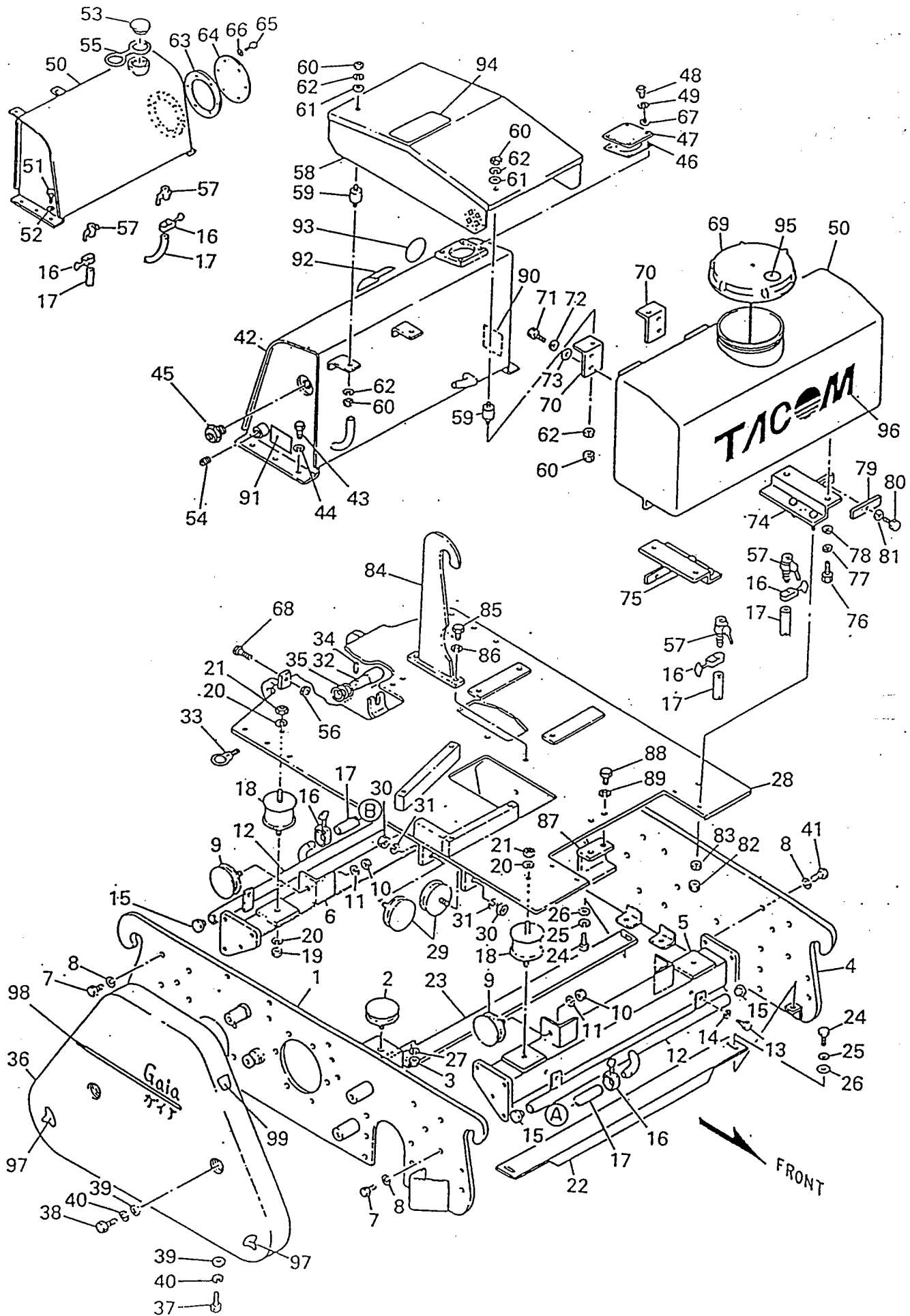
| Benennung | HW- 60 | HW - 65L | HW -65S | HW - 75 | Pos. | Identnr. | Bestellnr. |
|----------------------|--------|----------|---------|---------|------|----------|------------|
| Wasserschlauch(F) | 1 | 1 | 1 | | 17 | | 926005018 |
| Wasserschlauch(R) | 1 | | | | | | 926005122 |
| Wasserschlauch(R) | | 1 | 1 | | | | 926005130 |
| Wasserschlauch | | | | 3 | | | 926005020 |
| Rundlager | 4 | | | | 18 | | 2413054000 |
| Rundlager | | 4 | 4 | | | | 2713054000 |
| Rundlager | | | | 4 | | | 2313048000 |
| Sicherungsmutter M10 | 4 | | | | 19 | | 902011010 |
| Sicherungsmutter M12 | | 4 | 4 | 4 | | | 902011210 |
| Federring 10 | 8 | | | | 20 | 90065 | |
| Federring 12 | | 8 | 8 | 8 | | 90272 | |
| Mutter M10 | 4 | | | | 21 | 94905 | |
| Mutter M12 | | 4 | 4 | 4 | | 90101 | |
| Abstreifer(außen) | 2 | | | | 22 | | 2413055002 |
| Abstreifer(außen) | | 2 | | | | | 2713050002 |
| Abstreifer(außen) | | | 2 | 2 | | | 2513050002 |
| Abstreifer(innen) | 2 | | | | 23 | | 2413058000 |
| Abstreifer(innen) | | 2 | 2 | | | | 2713055000 |
| Abstreifer(innen) | | | | 2 | | | 2513055002 |
| Schraube M10x20 | 8 | 8 | 8 | 8 | 24 | 94901 | |
| Federring 10 | 8 | 8 | 8 | 8 | 25 | 90065 | |
| Scheibe 30x10,5x3,2 | 8 | 8 | 8 | 8 | 26 | | 933110011 |
| Federring 12 | 8 | 8 | 8 | 8 | 27 | 90272 | |
| Grundplatte | 1 | | | | 28 | | 3623060000 |
| Grundplatte | | 1 | 1 | | | | 3633060000 |
| Grundplatte | | | | 1 | | | 2823060001 |
| Gummpuffer | 2 | 2 | 2 | | 29 | | 2313040000 |
| Gummpuffer | | | | 2 | | | 2313020000 |
| Mutter M10 | 2 | 2 | 2 | | 30 | 94905 | |
| Mutter M12 | | | | 2 | | 90101 | |
| Federring 10 | 2 | 2 | 2 | | 31 | 90065 | |
| Federring 12 | | | | 2 | | 90272 | |
| Betätigungsstift | 1 | 1 | 1 | 1 | 32 | | 2413074000 |
| Augenschraube | 1 | 1 | 1 | 1 | 33 | | 168100000 |



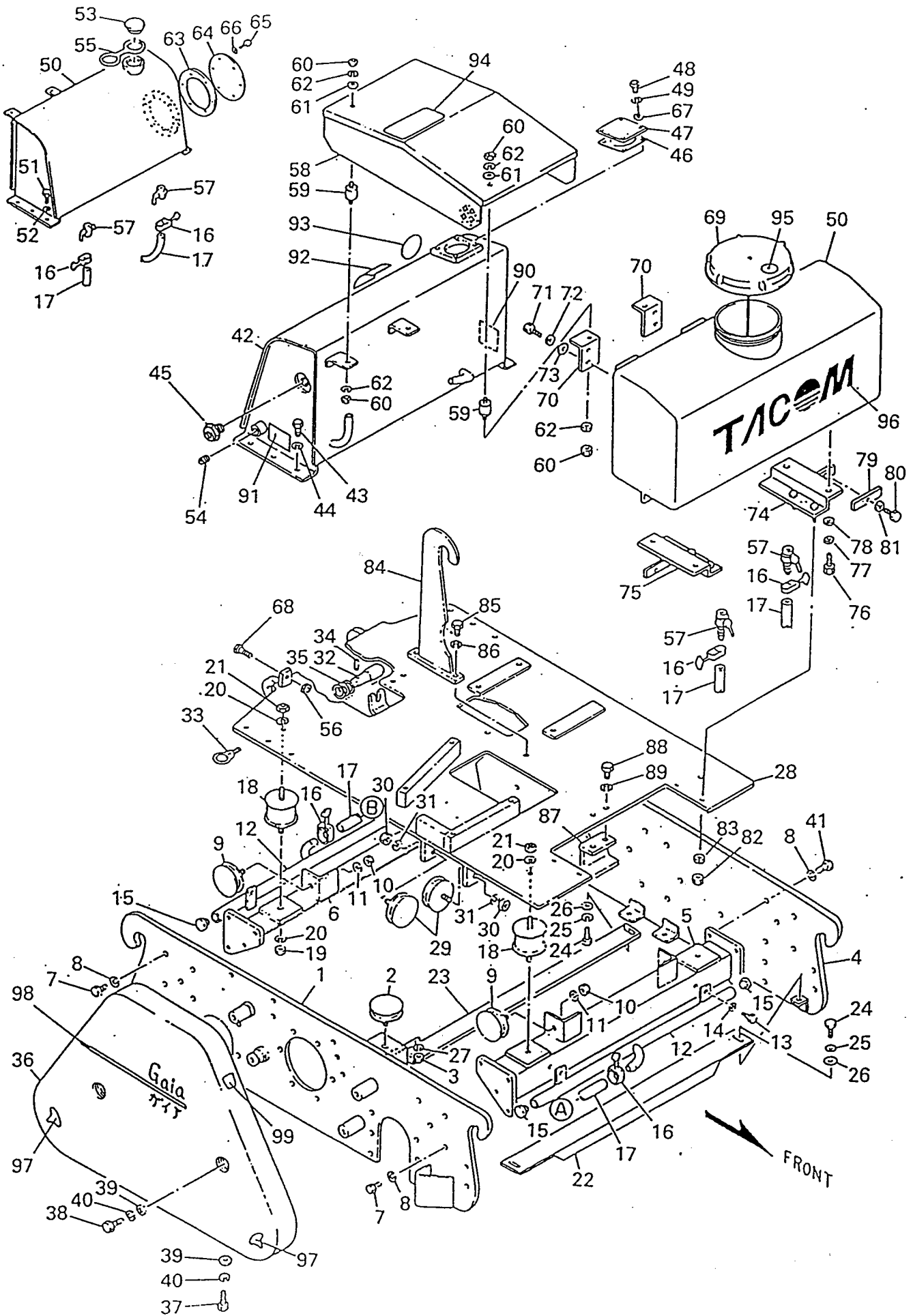
| Benennung | HW- 60 | HW - 65L | HW -65S | HW - 75 | Pos. | Identnr. | Bestellnr. |
|----------------------|--------|----------|---------|---------|------|----------|------------|
| Spannstift 2x18 | 1 | 1 | 1 | 1 | 34 | | 808112018 |
| Feder | 1 | 1 | 1 | 1 | 35 | | 2313073001 |
| Antriebsabdeckung | 1 | | | | 36 | | 2813075003 |
| Antriebsabdeckung | | 1 | | | | | 2913075001 |
| Antriebsabdeckung | | | 1 | | | | 2713075002 |
| Antriebsabdeckung | | | | 1 | | | 2513075000 |
| Schraube M10x16 | 2 | | | | 37 | 90570 | |
| Schraube M10x20 | | | 2 | | | 94901 | |
| Schraube M10x35 | 2 | 4 | 2 | 4 | 38 | 90157 | |
| Scheibe 10,5 | 4 | 4 | 4 | 4 | 39 | 94903 | |
| Federring 10 | 4 | 4 | 4 | 4 | 40 | 90065 | |
| Schraube M10x25 | 8 | | | | 41 | 90457 | |
| Schraube M12x25 | | 8 | 8 | 8 | | 90530 | |
| Öltank | 1 | | | | 42 | | 2813080001 |
| Öltank | | 1 | 1 | | | | 2323080000 |
| Öltank | | | | 1 | | | 2623080000 |
| Schraube M10x20 | 6 | 6 | 6 | 6 | 43 | 94901 | |
| Federring 10 | 6 | 6 | 6 | 6 | 44 | 90065 | |
| Ölauge | 1 | 1 | 1 | 1 | 45 | | 909116006 |
| Öltankdichtung | 1 | 1 | 1 | 1 | 46 | | 2413091000 |
| Öltankdeckel | 1 | 1 | 1 | 1 | 47 | | 2413092000 |
| Schraube M8x16 | 4 | 4 | 4 | 4 | 48 | 90121 | |
| Federring 8 | 4 | 4 | 4 | 4 | 49 | 90071 | |
| Wassertank 45L | 1 | | | | 50 | | 3623095000 |
| Wassertank 50L | | 1 | 1 | | | | 3633095000 |
| Wassertank 59L | | | | 1 | | | 3653095000 |
| Schraube M10x20 | 8 | 8 | 8 | 8 | 51 | 94901 | |
| Federring 8 | 8 | 8 | 8 | 8 | 52 | 90071 | |
| Verschlusskappe | | | | | 53 | | 2413103000 |
| Ablabsschraube PT1/2 | 1 | 1 | 1 | 1 | 54 | | 301790420 |



| Benennung | HW- 60 | HW - 65L | HW -65S | HW - 75 | Pos. | Identnr. | Bestellnr. |
|-----------------------|--------|----------|---------|---------|------|----------|------------|
| Lasche | | | | | 55 | | 2413120000 |
| Mutter M12 | 1 | 1 | 1 | 1 | 56 | 90101 | |
| Absperrhahn | 2 | 2 | 2 | 2 | 57 | | 2873118001 |
| Abdeckung | 1 | | | | 58 | | 3623110000 |
| Abdeckung | | 1 | 1 | | | | 3633110000 |
| Abdeckung | | | | 1 | | | 3653110000 |
| Rundlager | 4 | 4 | 4 | 4 | 59 | | 2313120000 |
| Mutter M6 | 8 | 8 | 8 | 8 | 60 | 90345 | |
| Scheibe 6,4 | 4 | 4 | 4 | 4 | 61 | 90063 | |
| Federring 6 | 8 | 8 | 8 | 8 | 62 | 90024 | |
| Deckel | 1 | 1 | 1 | 1 | 63 | | 2413109000 |
| Verschlußdeckel | 1 | 1 | 1 | 1 | 64 | | 2413108000 |
| Schraube M8x16 | 6 | 6 | 6 | 6 | 65 | 90121 | |
| Federring 8 | 6 | 6 | 6 | 6 | 66 | 90071 | |
| Scheibe 8,4 | 4 | 4 | 4 | 4 | 67 | 94990 | |
| Schraube M12x30 | 1 | | | | 68 | 90920 | |
| Schraube M12x40 | | 1 | 1 | 1 | | 91057 | |
| Kunststoffdeckel | 1 | 1 | 1 | 1 | 69 | | 2253025000 |
| Befestigungswinkel(L) | 1 | | | | 70 | | 2873095200 |
| Befestigungswinkel(R) | 1 | | | | | | 2873095300 |
| Befestigungswinkel | | 2 | 2 | 2 | | | 2903095201 |
| Schraube M8x20 | 4 | 4 | 4 | 4 | 71 | 90461 | |
| Federring 8 | 4 | 4 | 4 | 4 | 72 | 90071 | |
| Scheibe 8,4 | 4 | 4 | 4 | 4 | 73 | 94990 | |
| Halteplatte(L) | 1 | 1 | 1 | 1 | 74 | | 2873095400 |
| Halteplatte(R) | 1 | 1 | 1 | 1 | 75 | | 2873095500 |
| Schraube M10x25 | 4 | 4 | 4 | 4 | 76 | 90457 | |
| Federring 10 | 4 | 4 | 4 | 4 | 77 | 90065 | |



| Benennung | HW- 60 | HW - 65L | HW -65S | HW - 75 | Pos. | Identnr. | Bestellnr. |
|----------------------|--------|----------|---------|---------|------|----------|------------|
| Scheibe 25x10,5x3,2 | 4 | 4 | 4 | 4 | 78 | | 933110321 |
| Platte | 2 | 2 | 2 | 2 | 79 | | 2873095600 |
| Schraube M10x25 | 2 | 2 | 2 | 2 | 80 | 90457 | |
| Federring 10 | 2 | 2 | 2 | 2 | 81 | 90065 | |
| Sicherungsmutter M10 | 4 | 4 | 4 | 4 | 82 | | 902011010 |
| Federring 10 | 4 | 4 | 4 | 4 | 83 | 90065 | |
| Aufhängung | 1 | | | | 84 | | 2847090000 |
| Aufhängung | | 1 | | | | | 2903094000 |
| Aufhängung | | | 1 | | | | 2703093000 |
| Aufhängung | | | | 1 | | | 2513124001 |
| Schraube M12x35 | 2 | 2 | | | 85 | 90822 | |
| Schraube M10x25 | | | 4 | 4 | | 90457 | |
| Federring 12 | 2 | | | | 86 | 90272 | |
| Federring 10 | | 4 | 4 | 4 | | 90065 | |
| Gummipuffer | 2 | | | | 87 | | 2813131000 |
| Gummipuffer | | 2 | 2 | 2 | | | 2713099000 |
| Schraube M10x25 | 4 | | | | 88 | 90457 | |
| Schraube M12x25 | | 4 | 4 | 4 | | 90530 | |
| Federring 10 | 4 | | | | 89 | 90065 | |
| Federring 12 | | 4 | 4 | 4 | | 90272 | |
| Typenschild | 1 | | | | 90 | | 2843510002 |
| Typenschild | | 1 | | | | | 2873510003 |
| Typenschild | | | 1 | | | | 2823510003 |
| Typenschild | | | | 1 | | | 2513510002 |
| Wartungsschild | 1 | 1 | 1 | 1 | 91 | | 2873512000 |
| Warnschild | 1 | 1 | 1 | 1 | 92 | | 2313511000 |
| Ölschild | 1 | | | | 93 | | 2413523000 |
| Ölschild | | 1 | 1 | | | | 2713523000 |
| Ölschild | | | | 1 | | | 2513523000 |
| Schild (Filter) | 1 | 1 | 1 | 1 | 94 | | 2413508001 |
| Schild (wasser) | 1 | 1 | 1 | 1 | 95 | | 2253506000 |



| Benennung | HW- 60 | HW - 65L | HW -65S | HW - 75 | Pos. | Identnr. | Bestellnr. |
|----------------|--------|----------|---------|---------|------|----------|------------|
| Firmenschild | 1 | 1 | 1 | 1 | 96 | | 2253503000 |
| Schmierhinweis | 1 | 1 | 1 | 1 | 97 | | 8253500800 |
| Schild | 1 | 1 | 1 | 1 | 98 | | 2313503001 |
| Schild (A35) | 1 | 1 | 1 | 1 | 99 | | 1623500600 |
| Schild (45) | 1 | 1 | 1 | 1 | | | 1703500600 |